

### 60Hz POWER RATINGS <sup>1</sup>

Voltage AC	Phase	PF	Standby		Prime <sup>2</sup>	
			kW	A	kW	A
277/480	3	0.8	1225	1842	1125	1691
347/600	3	0.8	1225	1473	1125	1353
2402/4160	3	0.8	1225	213	1125	195

<sup>1</sup> All the ratings mentioned are without radiator power consumption. Power may vary based on radiator selection

<sup>2</sup> Prime power rating is for reference only. Actual power may vary depending on fuel gas quality and operating condition like altitude and ambient temperature

## Overview of the SIMMAX series of Industrial Generator Sets

Simson-Maxwell generators are factory-built in facilities that utilize the latest technology, mechanical and electrical component assembly, production, and testing. Each model is the result of computer-aided design and modeling backed up by exhaustive prototype-testing. Our development technology results in a unique range of innovative designs for highly reliable generator sets backed-up by a comprehensive warranty covering all components.

### Standard Configuration of Industrial Sets

- Long-life, heavy-duty, 4-cycle, Natural Gas (NG) engines from a world-renowned manufacturer for economy of operation and maximum reliability and durability. Capable of step load and rated load acceptance as per engine manufacturer's specification.
- Cooling: Radiator with belt driven pusher fan or motor driven remote radiator.
- Filtration: Light duty replaceable element air-cleaner.
- Alternator: Single bearing, 4-pole, rotating field, self-excited, self-ventilated, 12-wire re-connectable (6-wire dedicated for 600V), 60Hz brushless alternator with Class H insulation. Automatic voltage regulator (AVR) providing close voltage regulation.
- Arrangement: Open skid with engine and alternator units close coupled together and with seismic anti-vibration isolators mounted between the assembly and a heavy-duty steel base. Lifting lugs are provided as per application.
- Auto Start Control Panel: Digital auto-start microprocessor based control panel with remote start capability.
- Starting System: Electric starter motor, battery cables and belt driven charging alternator.
- CSA certified and meets CSA C282 requirements.

# SIMMAX



## NATURAL GAS PRODUCT LINE

**SGWW1200 T6**  
120/240/208/480/600 Volts  
60 Hz/1800 RPM | Standby/Prime

### ENGINE SPECIFICATION

Manufacturer	Waukesha
Model	L7044GSI
Crank shaft speed: rpm	1200
Fuel type	Natural Gas
Aspiration	Turbocharged
Number of cylinder	12
Cylinder arrangement	60° V
Displacement: L	115.4
Bore: mm	238
Stroke: mm	216
Engine standby power: kW	1225
Engine prime power: kW	1125
Cooling	Water cooled
Governor	Electronic
Starting motor voltage	24V DC
Compression ration	8.0:1
Air cleaner type	Light duty air cleaner

### EXHAUST SYSTEM

Maximum engine exhaust temperature: °F (°C)	1191.2 ( 644 )
Exhaust gas flow: CFM (m3/hr)	8984.4 ( 15264.6 )
Max. permissible back pressure: PSI (kPa)	0.722 ( 5 )

### AIR INTAKE & COOLANT<sup>1 2 3</sup>

Engine combustion air flow: CFM (m3/hr)	2633 ( 4474 )
Coolant capacity: Litre	421

### HEAT BALANCE

Heat at rejection to coolant: kW	1445.0
Heat at rejection radiation from engine: kW	216.0
Heat at rejection to engine exhaust: kW	1258.0

### LUBRICATION SYSTEM<sup>4</sup>

Oil pan capacity: Litre	340.0
Oil pan capacity with filter: Litre	719.0
Oil cooler	Integrated full flow
Recommended lubricating oil grade	As per OEM Spec S1015-37
Oil consumption at full load: Litre/hr	1.656
Oil pressure: PSI (kPa)	55.2 ( 380 )

<sup>1</sup> SIMMAX recommends to limit the enclosure air intake velocity to 650ft/minute, and the discharge air velocity to 750 ft/min.

<sup>2</sup> SIMMAX offers unit mounted radiator or remote radiator solutions based on site requirements.

<sup>3</sup> SIMMAX offers options of Air Fuel Ratio Controller and Catalytic converter to ensure engines are emission compliant.

<sup>4</sup> Oil consumption value is approximate maximum value for reference only.

# SIMMAX



## NATURAL GAS PRODUCT LINE

**SGWW1200 T6**

120/240/208/480/600 Volts  
60 Hz/1800 RPM | Standby/Prime

### ENGINE ELECTRICAL SYSTEM

Starting motor voltage	24V DC
Battery capacity	2X8D, 24V, 1500A
Cranking Amps minimum	-

### FUEL SYSTEM

Recommended fuel	As per OEM Spec S7884-13
Fuel supply line, min. ID: mm	50.0
Fuel supply line max. pressure: kPa	414
Fuel supply line min. pressure: kPa	207.0

### FUEL CONSUMPTION <sup>1</sup>

	Standby Power		Prime Power
100% Load Standby: BTU/hr	13871915.2	100% Load Prime: BTU/hr	12920171.3
75% Load Standby: BTU/hr	10784426.1	75% Load Prime: BTU/hr	9904064.8
50% Load Standby: BTU/hr	7451042.4	50% Load Prime: BTU/hr	6842794.0
25% Load Standby: BTU/hr	3914040.5	25% Load Prime: BTU/hr	3594527.0

### ALTERNATOR SPECIFICATION

Alternator manufacturer	STAMFORD
Alternator model	PI736
Voltage	480V, 600V
Alternator type	Six pole, Rotating field
Excitation system	Brushless, PMG (MX321)
Power factor	0.8
Number of leads	TBA
Stator pitch	2/3
Enclosure rating	IP23
Amortisseur windings	Full
Voltage regulation	± 0.5%
TIF	<50
Line harmonics	5% MAXIMUM
Alternator cooling air flow: CFM (m3/hr)	4874 ( 8281 )

### STANDARD FEATURES

• Radiator with pusher fan	• Vibration isolators
• Light duty air cleaner	• All rotating components protected with metal guards
• Light-duty engine start batteries with cables	• Operation and maintenance manual
• Emergency stop switch	• CSA certified
• Control Panel (See next page for details)	• Steel base for mounting

<sup>1</sup> Total fuel consumption may vary based on the radiator fan power consumption.

# SIMMAX



## NATURAL GAS PRODUCT LINE

### SGWW1200 T6

120/240/208/480/600 Volts  
60 Hz/1800 RPM | Standby/Prime

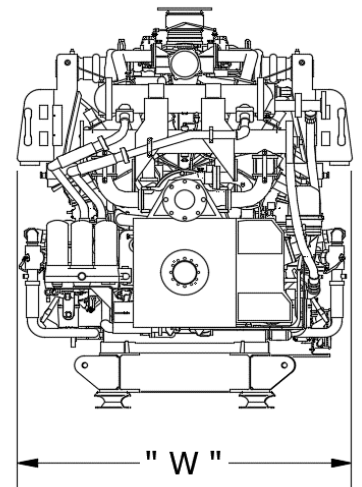
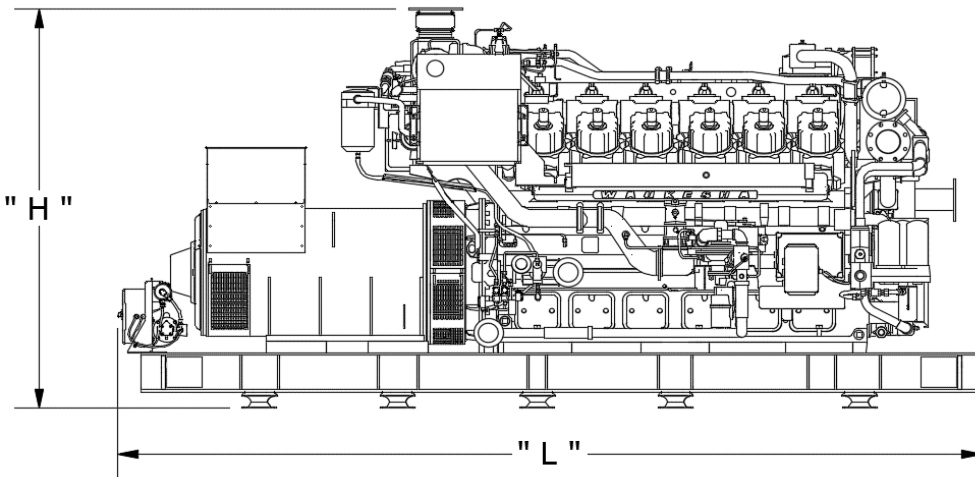
## Control Systems Standard Features - Generator Digital Control Panel

### Standard Configuration of Control Systems

- IntelliLite MRS 16 Controller
- Numerous control systems available, depending on customer requirements
- Automatic or manual start/stop
- Pre-lube function with timers
- Adjustable crank attempts
- Engine warm up/cooling functions
- Digital metering with alarms and shutdowns
- LCD display
- LED indicators
- In-built PLC function
- RS232 (optional RS485 or CAN) communication
- Data logging up to 350 events
- Password protection
- Option available for IntelliGen-NT controller, expansion modules for additional IOs and communication.



## Key dimensions and Weights <sup>1</sup>



### GENERATOR DATA<sup>2</sup>

L = LENGTH - inch (mm)	W = WIDTH - inch (mm)	H = HEIGHT - inch (mm)	DRY WEIGHT - lbs (kg)
232 ( 5892.8 )	85 ( 2159 )	110 ( 2794 )	35300.0 ( 16011.8 )

<sup>1</sup>Images are reference only.

<sup>2</sup>All measurements are approximate and for estimation purposes only. Any deviation can change dimensions. Materials and specifications subject to change without notice.



Simson Maxwell

Calgary | Edmonton | Nanaimo | Port Coquitlam | Prince George | Terrace | Ft. St. John

www.simson-maxwell.com | 800-374-6766

