

### 60Hz POWER RATINGS <sup>1</sup>

Voltage AC	Phase	PF	Standby		Prime <sup>2</sup>	
			kW	A	kW	A
120/208	3	0.8	625	2169	590	2047
277/480	3	0.8	625	940	590	887
347/600	3	0.8	625	752	590	710

<sup>1</sup> All the ratings mentioned are without radiator power consumption. Power may vary based on radiator selection

<sup>2</sup> Prime power rating is for reference only. Actual power may vary depending on fuel gas quality and operating condition like altitude and ambient temperature

## Overview of the SIMMAX series of Industrial Generator Sets

Simson-Maxwell generators are factory-built in facilities that utilize the latest technology, mechanical and electrical component assembly, production, and testing. Each model is the result of computer-aided design and modeling backed up by exhaustive prototype-testing. Our development technology results in a unique range of innovative designs for highly reliable generator sets backed-up by a comprehensive warranty covering all components.

## Standard Configuration of Industrial Sets

- Long-life, heavy-duty, 4-cycle, Natural Gas (NG) engines from a world-renowned manufacturer for economy of operation and maximum reliability and durability. Capable of step load and rated load acceptance as per engine manufacturer's specification.
- Cooling: Radiator with belt driven pusher fan or motor driven remote radiator.
- Filtration: Light duty replaceable element air-cleaner.
- Alternator: Single bearing, 4-pole, rotating field, self-excited, self-ventilated, 12-wire re-connectable (6-wire dedicated for 600V), 60Hz brushless alternator with Class H insulation. Automatic voltage regulator (AVR) providing close voltage regulation.
- Arrangement: Open skid with engine and alternator units close coupled together and with seismic anti-vibration isolators mounted between the assembly and a heavy-duty steel base. Lifting lugs are provided as per application.
- Auto Start Control Panel: Digital auto-start microprocessor based control panel with remote start capability.
- Starting System: Electric starter motor, battery cables and belt driven charging alternator.
- CSA certified and meets CSA C282 requirements.

# SIMMAX



**POWER  
GENERATION**

## NATURAL GAS PRODUCT LINE

**SGWW625 T6**  
120/240/208/480/600 Volts  
60 Hz/1800 RPM | Standby/Prime

### ENGINE SPECIFICATION

Manufacturer	Waukesha
Model	L36GL
Crank shaft speed: rpm	1800
Fuel type	Natural Gas
Aspiration	Turbocharged
Number of cylinder	12
Cylinder arrangement	60° V
Displacement: L	35.9
Bore: mm	152
Stroke: mm	165
Engine standby power: kW	625
Engine prime power: kW	590
Cooling	Water cooled
Governor	Electronic
Starting motor voltage	24V DC
Compression ration	8.7:1
Air cleaner type	Light duty air cleaner

### EXHAUST SYSTEM

Maximum engine exhaust temperature: °F (°C)	867.2 ( 464 )
Exhaust gas flow: CFM (m3/hr)	4730.0 ( 8036.3 )
Max. permissible back pressure: PSI (kPa)	0.542 ( 3.8 )

### AIR INTAKE & COOLANT<sup>1 2 3</sup>

Engine combustion air flow: CFM (m3/hr)	1781 ( 3026 )
Coolant capacity: Litre	219

### HEAT BALANCE

Heat at rejection to coolant: kW	702.0
Heat at rejection radiation from engine: kW	46.0
Heat at rejection to engine exhaust: kW	527.0

### LUBRICATION SYSTEM<sup>4</sup>

Oil pan capacity: Litre	174.0
Oil pan capacity with filter: Litre	326.0
Oil cooler	Integrated full flow
Recommended lubricating oil grade	As per OEM Spec S1015-32
Oil consumption at full load: Litre/hr	0.8449
Oil pressure: PSI (kPa)	55 ( 379 )

<sup>1</sup> SIMMAX recommends to limit the enclosure air intake velocity to 650ft/minute, and the discharge air velocity to 750 ft/min.

<sup>2</sup> SIMMAX offers unit mounted radiator or remote radiator solutions based on site requirements.

<sup>3</sup> SIMMAX offers options of Air Fuel Ratio Controller and Catalytic converter to ensure engines are emission compliant.

<sup>4</sup> Oil consumption value is approximate maximum value for reference only.

# SIMMAX



## NATURAL GAS PRODUCT LINE

### SGWW625 T6

120/240/208/480/600 Volts  
60 Hz/1800 RPM | Standby/Prime

#### ENGINE ELECTRICAL SYSTEM

Starting motor voltage	24V DC
Battery capacity	2X8D, 24V, 1500A
Cranking Amps minimum	-

#### FUEL SYSTEM

Recommended fuel	As per OEM Spec S7884-8
Fuel supply line, min. ID: mm	50.0
Fuel supply line max. pressure: kPa	345
Fuel supply line min. pressure: kPa	179.0

#### FUEL CONSUMPTION <sup>1</sup>

	Standby Power		Prime Power
100% Load Standby: BTU/hr	6534269.4	100% Load Prime: BTU/hr	6287618.6
75% Load Standby: BTU/hr	5348465.0	75% Load Prime: BTU/hr	4785007.1
50% Load Standby: BTU/hr	3876608.4	50% Load Prime: BTU/hr	3659518.3
25% Load Standby: BTU/hr	2249491.7	25% Load Prime: BTU/hr	2123520.1

#### ALTERNATOR SPECIFICATION

Alternator manufacturer	STAMFORD
Alternator model	HCI634
Voltage	120V - 480V, 600V
Alternator type	Four pole, Rotating field
Excitation system	Brushless, PMG (MX321)
Power factor	0.8
Number of leads	12 leads reconnectable (120V-480V), 6 leads dedicated (600V)
Stator pitch	2/3
Enclosure rating	IP23
Amortisseur windings	Full
Voltage regulation	± 0.5%
TIF	<50
Line harmonics	5% MAXIMUM
Alternator cooling air flow: CFM (m3/hr)	4156 ( 7062 )

#### STANDARD FEATURES

• Radiator with pusher fan	• Vibration isolators
• Light duty air cleaner	• All rotating components protected with metal guards
• Light-duty engine start batteries with cables	• Operation and maintenance manual
• Emergency stop switch	• CSA certified
• Control Panel (See next page for details)	• Steel base for mounting

<sup>1</sup> Total fuel consumption may vary based on the radiator fan power consumption.

# SIMMAX



## NATURAL GAS PRODUCT LINE

**SGWW625 T6**  
 120/240/208/480/600 Volts  
 60 Hz/1800 RPM | Standby/Prime

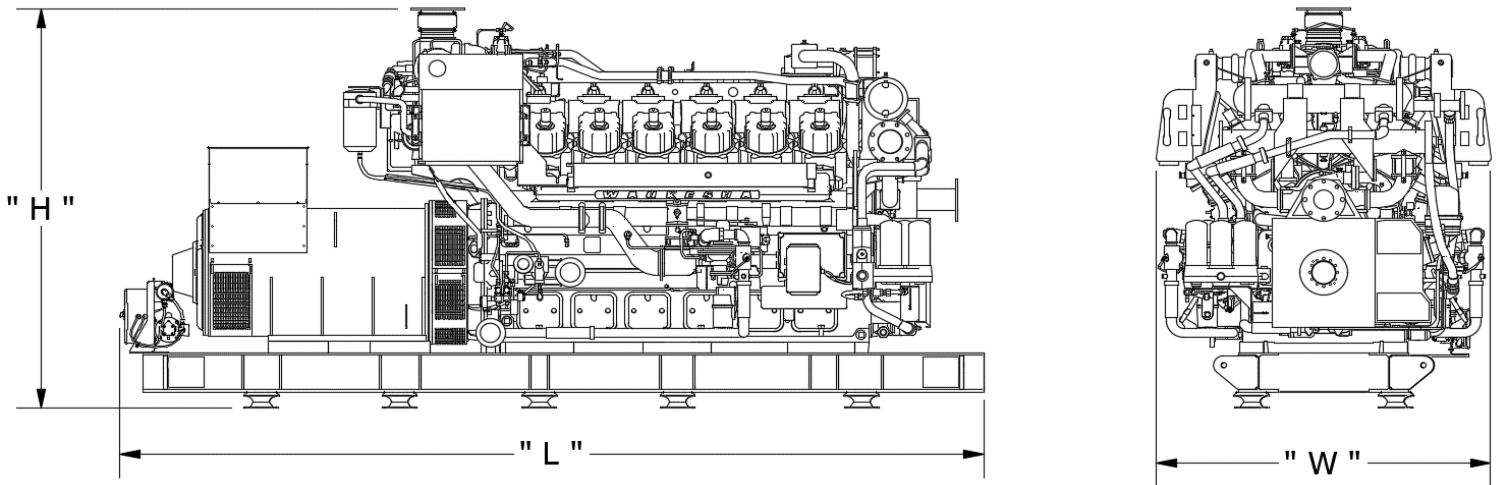
### Control Systems Standard Features - Generator Digital Control Panel

#### Standard Configuration of Control Systems

- IntelliLite MRS 16 Controller
- Numerous control systems available, depending on customer requirements
- Automatic or manual start/stop
- Pre-lube function with timers
- Adjustable crank attempts
- Engine warm up/cooling functions
- Digital metering with alarms and shutdowns
- LCD display
- LED indicators
- In-built PLC function
- RS232 (optional RS485 or CAN) communication
- Data logging up to 350 events
- Password protection
- Option available for IntelliGen-NT controller, expansion modules for additional IOs and communication.



### Key dimensions and Weights <sup>1</sup>



GENERATOR DATA <sup>2</sup>			
L = LENGTH - inch (mm)	W = WIDTH - inch (mm)	H = HEIGHT - inch (mm)	DRY WEIGHT - lbs (kg)
160 ( 4064 )	65 ( 1651 )	100 ( 2540 )	18632.0 ( 8451.4 )

<sup>1</sup>Images are reference only.

<sup>2</sup>All measurements are approximate and for estimation purposes only. Any deviation can change dimensions. Materials and specifications subject to change without notice.



Simson Maxwell  
 Calgary | Edmonton | Nanaimo | Port Coquitlam | Prince George | Terrace | Ft. St. John  
[www.simson-maxwell.com](http://www.simson-maxwell.com) | 800-374-6766

