

60Hz POWER RATINGS

Voltage AC	Phase	PF	Standby		Prime*	
			KW	A	Kw	A
120/240	1	1	29	119	26	108
120/208	3	0.8	29	102	27	93
277/480	3	0.8	30	44	27	40
347/600	3	0.8	30	36	27	33

* Prime power rating for reference only.

Overview of the SIMMAX series of Industrial Generator Sets

Simson-Maxwell generators are factory-built in facilities that utilize the latest technology, mechanical and electrical component assembly, production, and testing. Each model is the result of computer-aided design and modeling backed up by exhaustive prototype-testing. Our development technology results in a unique range of innovative designs for highly reliable generator sets backed-up by a comprehensive warranty covering all components.

Standard Configuration of Industrial Sets

- Long-life, heavy-duty, 4-cycle, direct injection diesel engine from a world-renowned manufacturer for economy of operation and maximum reliability and durability. Capable of full-rated load acceptance in one step.
- Cooling: Radiator with belt driven pusher fan.
- Filtration: Heavy duty replaceable element air-cleaner.
- Alternator: Single bearing, 4-pole, rotating field, self-excited, self-ventilated, 12-wire re-connectable (6-wire dedicated for 600V), 60Hz brushless alternator with Class H insulation. Automatic voltage regulator (AVR) providing close voltage regulation.
- Arrangement: Open skid with engine and alternator units close coupled together and with seismic anti-vibration isolators mounted between the assembly and a heavy-duty steel base. Lifting lugs are provided as per application.
- Auto Start Control Panel: Digital auto-start microprocessor based control panel with remote start capability.
- Starting System: Electric starter motor, battery cables, battery and belt driven charging alternator.
- CSA certified and meets CSA C282 requirements.



ENGINE SPECIFICATION

Manufacturer	Kubota
Model	V3300
EPA certified	Tier-3
Crank shaft speed: rpm	1800
Fuel type	Diesel
Injection	Direct
Aspiration	Natural
Number of cylinder	4
Cylinder arrangement	Inline
Displacement: L	3.318
Bore: mm	98
Stroke: mm	110
Engine standby power: kW	33.6
Engine prime power: kW	30.6
Cooling	Water cooled
Governor	Mechanical
Starting motor voltage	12V DC
Compression ration	22.6:1
Air cleaner type	Dry type with paper element

EXHAUST SYSTEM

Maximum engine exhaust temperature: °F (°C)	1040	(560)
Exhaust gas flow: CFM (m3/hr)	341.0	(579.4)
Max. permissible back pressure: PSI (kPA)	1.552	(10.7)

COOLING SYSTEM

Radiator cooling air flow: CFM (m3/hr)	2900	(4928)	@Max 40°C ambient temperature
Max. restriction of cooling air: in.w.g. (kPA)	0.483	(0.2)	
Engine combustion air flow: CFM (m3/hr)	122	(208)	
Total intake air requirement: CFM (m3/hr)	3022	(5134.5)	
Total coolant capacity: Litre	4.1		

HEAT BALANCE

Heat at rejection to coolant: kW	47.7
Heat at rejection radiation from engine: kW	TBA
Heat at rejection to engine exhaust: kW	TBA

LUBRICATION SYSTEM

Oil pan capacity: Litre	13.2
Oil pan capacity with filter: Litre	15.2
Oil cooler	TBA
Recommended lubricating oil grade	Class CF as per API
Oil consumption at full load: Litre/hr	0.147
Oil pressure: PSI (kPA)	43.6 (300)

SIMMAX



**POWER
GENERATION**

DIESEL PRODUCT LINE

SKW28 T6-T3

120/240/208/480/600 Volts
60 Hz/1800 RPM | Standby/Prime

ENGINE ELECTRICAL SYSTEM

Starting motor voltage	12V DC
Battery capacity	4D, 12V, 1000A
Cranking Amps minimum	209 A

FUEL SYSTEM

Recommended fuel	Diesel Fuel No. 2-D S-500 or S-15
Fuel supply line, min. ID: mm	15.0
Fuel return line min. ID: mm	15.0
Fuel supply line max. restriction: kpa	6.67
Fuel pump type	Engine-driven
Fuel filter	18 Micron Paper Filter

FUEL CONSUMPTION

	Standby Power		Prime Power
100% Load Standby: Litre/hr	14.7	100% Load Prime: Litre/hr	13.4
75% Load Standby: Litre/hr	-	75% Load Prime: Litre/hr	-
50% Load Standby: Litre/hr	-	50% Load Prime: Litre/hr	-
25% Load Standby: Litre/hr	-	25% Load Prime: Litre/hr	-

ALTERNATOR SPECIFICATION

Alternator manufacturer	STAMFORD
Alternator model	PI144
Voltage	120V - 480V, 600V
Alternator type	Four pole, Rotating field
Excitation system	Brushless, Self excited (EBS option available)
Power factor	0.8
Number of leads	12 leads reconnectable (120V-480V-600V)
Stator pitch	2/3
Insulation	Class H
Windings - temperature rise / Ambient °C	125 / 40
Enclosure rating	IP23
Bearing	Single, Sealed
Amortisseur windings	Full
Voltage regulation - no load to full load with DSR AVR	± 1%
TIF	<50
Line harmonics	5% MAXIMUM
Alternator cooling air flow: CFM (m3/hr)	340 (578)

STANDARD FEATURES

• Radiator with pusher fan	• Standard fuel filter
• Medium-duty, Dry type with paper element	• All rotating components protected with metal guards
• Heavy-duty engine start batteries with cables	• Operation and installation literature
• Emergency stop switch	• CSA certified
• Control Panel (See next page for details)	• Steel base for mounting on fuel tank/concrete surface

OPTIONAL FEATURE: SUB-BASE FUEL TANK *

Runtime	24 hour	48 hour	72 hour
Tank volume - US gal (L)	93.2 (352.8)	186.4 (705.6)	279.6 (1058.4)
Tank size: L x W x H - inch	61 x 24 x 19	61 x 24 x 34	75 x 24 x 40
Tank size: L x W x H - m	1.6 x 0.6 x 0.5	1.6 x 0.6 x 0.9	1.9 x 0.6 x 1

* All measurements are approximate and for estimation purposes only. The tank dimensions may vary. For specific sizes, contact sales representative.

Rev: A

Date: 3/29/2018

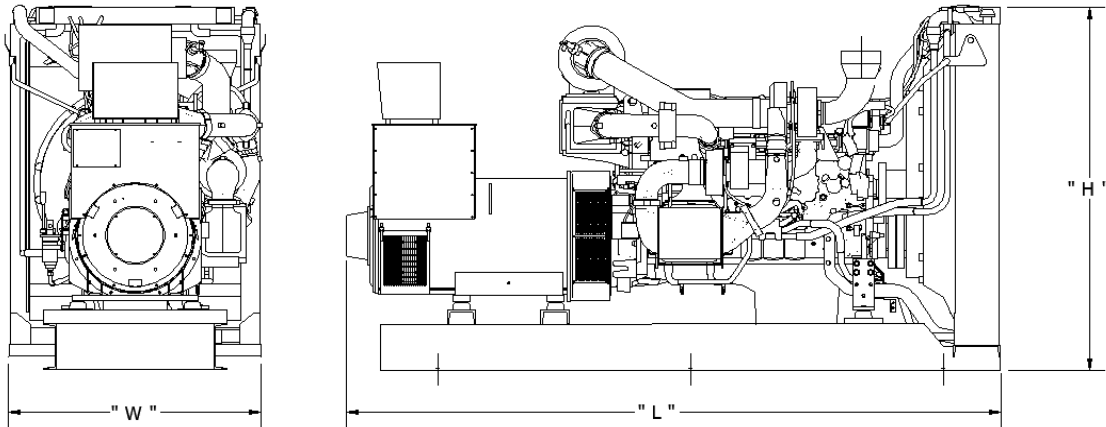
Control Systems Standard Features - Generator Digital Control Panel

Standard Configuration of Control Systems

- Numerous control systems available, depending on customer requirements
- Automatic or manual start/stop
- Pre-lube function with timers
- Adjustable crank attempts
- Engine warm up/cooling functions
- Digital metering with alarms and shutdowns
- LCD display
- LED indicators
- In-built PLC function
- RS232 (optional RS485 or CAN) communication
- Data logging up to 350 events
- Password protection



Key dimensions and Weights



GENERATOR DATA *			
L = LENGTH - inch (mm)	W = WIDTH - inch (mm)	H = HEIGHT - inch (mm)	DRY WEIGHT - lbs (kg)
60 (1524)	23 (584.2)	36.0 (914.4)	1257.2 (570.2)

* All measurements are approximate and for estimation purposes only. Images are reference only.
 Any deviation can change dimensions.
 Materials and specifications subject to change without notice.



Simson Maxwell

Calgary | Edmonton | Nanaimo | Port Coquitlam | Prince George | Terrace | Ft. St. John

www.simson-maxwell.com | 800-374-6766

