

60Hz POWER RATINGS

Voltage AC	Phase	PF	Standby		Prime*	
			KW	A	Kw	A
120/240	1	1	158	657	143	594
120/208	3	0.8	161	558	146	505
277/480	3	0.8	161	242	146	219
347/600	3	0.8	163	196	147	177

* Prime power rating for reference only.

Overview of the SIMMAX series of Industrial Generator Sets

Simson-Maxwell generators are factory-built in facilities that utilize the latest technology, mechanical and electrical component assembly, production, and testing. Each model is the result of computer-aided design and modeling backed up by exhaustive prototype-testing. Our development technology results in a unique range of innovative designs for highly reliable generator sets backed-up by a comprehensive warranty covering all components.

Standard Configuration of Industrial Sets

- Long-life, heavy-duty, 4-cycle, direct injection diesel engine from a world-renowned manufacturer for economy of operation and maximum reliability and durability. Capable of full-rated load acceptance in one step.
- Cooling: Radiator with belt driven pusher fan.
- Filtration: Heavy duty replaceable element air-cleaner.
- Alternator: Single bearing, 4-pole, rotating field, self-excited, self-ventilated, 12-wire re-connectable (6-wire dedicated for 600V), 60Hz brushless alternator with Class H insulation. Automatic voltage regulator (AVR) providing close voltage regulation.
- Arrangement: Open skid with engine and alternator units close coupled together and with seismic anti-vibration isolators mounted between the assembly and a heavy-duty steel base. Lifting lugs are provided as per application.
- Auto Start Control Panel: Digital auto-start microprocessor based control panel with remote start capability.
- Starting System: Electric starter motor, battery cables, battery and belt driven charging alternator.
- CSA certified and meets CSA C282 requirements.

ENGINE SPECIFICATION

Manufacturer	Perkins
Model	1106D-E70TAG3
EPA certified	Tier-2
Crank shaft speed: rpm	1801
Fuel type	Diesel
Injection	Direct
Aspiration	Turbocharged
Number of cylinder	6
Cylinder arrangement	Inline
Displacement: L	7.01
Bore: mm	105
Stroke: mm	135
Engine standby power: kW	173.4
Engine prime power: kW	156.9
Cooling	Water cooled
Governor	Electronic
Starting motor voltage	12V DC
Compression ration	16.8:1
Air cleaner type	Single stage-Paper Cartridge

EXHAUST SYSTEM

Maximum engine exhaust temperature: °F (°C)	824 (440)
Exhaust gas flow: CFM (m3/hr)	1106.0 (1879.2)
Max. permissible back pressure: PSI (kPA)	2.176 (15)

COOLING SYSTEM

Radiator cooling air flow: CFM (m3/hr)	9959 (16921)	@Max 40°C ambient temperature
Max. restriction of cooling air: in.w.g. (kPA)	0.483 (0.2)	
Engine combustion air flow: CFM (m3/hr)	541 (920)	
Total intake air requirement: CFM (m3/hr)	10500 (17839.7)	
Total coolant capacity: Litre	20.5	

HEAT BALANCE

Heat at rejection to coolant: kW	76.8
Heat at rejection radiation from engine: kW	29.1
Heat at rejection to engine exhaust: kW	131.8

LUBRICATION SYSTEM

Oil pan capacity: Litre	12.5
Oil pan capacity with filter: Litre	17.5
Oil cooler	Integrated full flow
Recommended lubricating oil grade	Oil conforming to API-CH4 or CI4 with ACEA E5
Oil consumption at full load: Litre/hr	0.0459
Oil pressure: PSI (kPA)	55.9 (385)

SIMMAX



**POWER
GENERATION**

DIESEL PRODUCT LINE

SPW150 T6-T2
120/240/208/480/600 Volts
60 Hz/1800 RPM | Standby/Prime

ENGINE ELECTRICAL SYSTEM

Starting motor voltage	12V DC
Battery capacity	8D, 12V, 1500A
Cranking Amps minimum	1000 A at -25 °C

FUEL SYSTEM

Recommended fuel	Refer OEM Mnual
Fuel supply line, min. ID: mm	15.0
Fuel return line min. ID: mm	15.0
Fuel supply line max. restriction: kpa	17
Fuel pump type	Engine-driven
Fuel filter	Two stage fuel filter

FUEL CONSUMPTION	Standby Power	Prime Power
100% Load Standby: Litre/hr	46.5	100% Load Prime: Litre/hr 42.3
75% Load Standby: Litre/hr	38.2	75% Load Prime: Litre/hr 34.7
50% Load Standby: Litre/hr	26.2	50% Load Prime: Litre/hr 23.8
25% Load Standby: Litre/hr	14.3	25% Load Prime: Litre/hr 13.0

ALTERNATOR SPECIFICATION

Alternator manufacturer	STAMFORD
Alternator model	UCDI274
Voltage	120V - 480V, 600V
Alternator type	Four pole, Rotating field
Excitation system	Brushless, Self excited (PMG option available)
Power factor	0.8
Number of leads	12 leads reconnectable (120V-480V-600V)
Stator pitch	2/3
Insulation	Class H
Windings - temperature rise / Ambient °C	125 / 40
Enclosure rating	IP23
Bearing	Single, Sealed
Amortisseur windings	Full
Voltage regulation - no load to full load with DSR AVR	± 1%
TIF	<50
Line harmonics	5% MAXIMUM
Alternator cooling air flow: CFM (m3/hr)	1463 (2486)

STANDARD FEATURES

• Radiator with pusher fan	• Standard fuel filter
• Medium-duty, Single stage-Paper Cartridge	• All rotating components protected with metal guards
• Heavy-duty engine start batteries with cables	• Operation and installation literature
• Emergency stop switch	• CSA certified
• Control Panel (See next page for details)	• Steel base for mounting on fuel tank/concrete surface

OPTIONAL FEATURE: SUB-BASE FUEL TANK *

Runtime	24 hour	48 hour	72 hour
Tank volume - US gal (L)	295.1 (1116.8)	590.1 (2233.5)	885.1 (3350.2)
Tank size: L x W x H - inch	102 x 34 x 24	108 x 34 x 40	161 x 34 x 40
Tank size: L x W x H - m	2.6 x 0.9 x 0.6	2.8 x 0.9 x 1	4.1 x 0.9 x 1

* All measurements are approximate and for estimation purposes only. The tank dimensions may vary. For specific sizes, contact sales representative.

Rev: A

Date: 3/29/2018

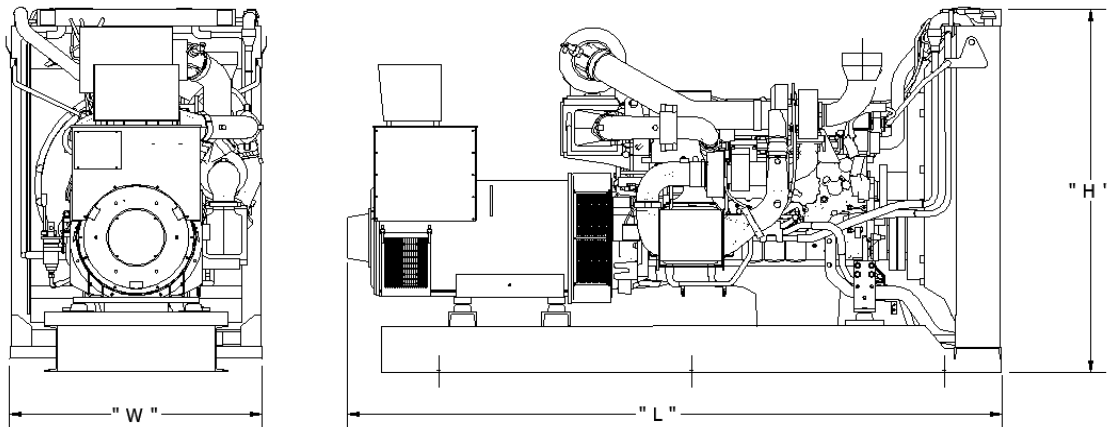
Control Systems Standard Features - Generator Digital Control Panel

Standard Configuration of Control Systems

- Numerous control systems available, depending on customer requirements
- Automatic or manual start/stop
- Pre-lube function with timers
- Adjustable crank attempts
- Engine warm up/cooling functions
- Digital metering with alarms and shutdowns
- LCD display
- LED indicators
- In-built PLC function
- RS232 (optional RS485 or CAN) communication
- Data logging up to 350 events
- Password protection



Key dimensions and Weights



GENERATOR DATA *			
L = LENGTH - inch (mm)	W = WIDTH - inch (mm)	H = HEIGHT - inch (mm)	DRY WEIGHT - lbs (kg)
101 (2565.4)	33 (838.2)	55.0 (1397)	3831.7 (1737.8)

* All measurements are approximate and for estimation purposes only. Images are reference only.
 Any deviation can change dimensions.
 Materials and specifications subject to change without notice.

