

60Hz POWER RATINGS

Voltage AC	Phase	PF	Standby		Prime*	
			KW	A	Kw	A
120/240	1	1	117	488	104	435
120/208	3	0.8	119	413	106	368
277/480	3	0.8	120	180	107	160
347/600	3	0.8	120	144	107	128

* Prime power rating for reference only.

Overview of the SIMMAX series of Industrial Generator Sets

Simson-Maxwell generators are factory-built in facilities that utilize the latest technology, mechanical and electrical component assembly, production, and testing. Each model is the result of computer-aided design and modeling backed up by exhaustive prototype-testing. Our development technology results in a unique range of innovative designs for highly reliable generator sets backed-up by a comprehensive warranty covering all components.

Standard Configuration of Industrial Sets

- Long-life, heavy-duty, 4-cycle, direct injection diesel engine from a world-renowned manufacturer for economy of operation and maximum reliability and durability. Capable of full-rated load acceptance in one step.
- Cooling: Radiator with belt driven pusher fan.
- Filtration: Heavy duty replaceable element air-cleaner.
- Alternator: Single bearing, 4-pole, rotating field, self-excited, self-ventilated, 12-wire re-connectable (6-wire dedicated for 600V), 60Hz brushless alternator with Class H insulation. Automatic voltage regulator (AVR) providing close voltage regulation.
- Arrangement: Open skid with engine and alternator units close coupled together and with seismic anti-vibration isolators mounted between the assembly and a heavy-duty steel base. Lifting lugs are provided as per application.
- Auto Start Control Panel: Digital auto-start microprocessor based control panel with remote start capability.
- Starting System: Electric starter motor, battery cables, battery and belt driven charging alternator.
- CSA certified and meets CSA C282 requirements.

SIMMAX



POWER GENERATION

DIESEL PRODUCT LINE

SVW115 T6-T2

120/240/208/480/600 Volts
60 Hz/1800 RPM | Standby/Prime

ENGINE SPECIFICATION

Manufacturer	Volvo
Model	TAD532GE
EPA certified	Tier-2
Crank shaft speed: rpm	1800
Fuel type	Diesel
Injection	Direct
Aspiration	Turbocharged
Number of cylinder	4
Cylinder arrangement	Inline
Displacement: L	4.76
Bore: mm	108
Stroke: mm	130
Engine standby power: kW	129.0
Engine prime power: kW	115.0
Cooling	Water cooled
Governor	Electronic
Starting motor voltage	12V DC
Compression ration	17.5:1
Air cleaner type	Double stage-Paper Cartridge

EXHAUST SYSTEM

Maximum engine exhaust temperature: °F (°C)	982.4 (528)
Exhaust gas flow: CFM (m3/hr)	973.0 (1653.2)
Max. permissible back pressure: PSI (kPA)	1.016 (7)

COOLING SYSTEM

Radiator cooling air flow: CFM (m3/hr)	7628 (12961)	@Max 40°C ambient temperature
Max. restriction of cooling air: in.w.g. (kPA)	0.603 (0.2)	
Engine combustion air flow: CFM (m3/hr)	339 (576)	
Total intake air requirement: CFM (m3/hr)	7967 (13536.1)	
Total coolant capacity: Litre	20.2	

HEAT BALANCE

Heat at rejection to coolant: kW	68.0
Heat at rejection radiation from engine: kW	14.0
Heat at rejection to engine exhaust: kW	116.0

LUBRICATION SYSTEM

Oil pan capacity: Litre	11.0
Oil pan capacity with filter: Litre	13.0
Oil cooler	Integrated full flow
Recommended lubricating oil grade	Refer OEM Specification
Oil consumption at full load: Litre/hr	0.08
Oil pressure: PSI (kPA)	67.5 (465)

SIMMAX



**POWER
GENERATION**

DIESEL PRODUCT LINE

SVW115 T6-T2

120/240/208/480/600 Volts
60 Hz/1800 RPM | Standby/Prime

ENGINE ELECTRICAL SYSTEM

Starting motor voltage	12V DC
Battery capacity	4D, 12V, 1000A
Cranking Amps minimum	370 A at +20 °C

FUEL SYSTEM

Recommended fuel	ASTM-D975-No1 and 2-D JIS KK 2204EN 590
Fuel supply line, min. ID: mm	15.0
Fuel return line min. ID: mm	15.0
Fuel supply line max. restriction: kpa	12.5
Fuel pump type	Engine-driven
Fuel filter	Fuel filter 0.005mm Prefilter 0.063mm

FUEL CONSUMPTION

	Standby Power		Prime Power
100% Load Standby: Litre/hr	36.5	100% Load Prime: Litre/hr	32.3
75% Load Standby: Litre/hr	27.0	75% Load Prime: Litre/hr	24.4
50% Load Standby: Litre/hr	18.8	50% Load Prime: Litre/hr	17.4
25% Load Standby: Litre/hr	11.7	25% Load Prime: Litre/hr	11.5

ALTERNATOR SPECIFICATION

Alternator manufacturer	STAMFORD
Alternator model	UCI274
Voltage	120V - 480V, 600V
Alternator type	Four pole, Rotating field
Excitation system	Brushless, Self excited (PMG option available)
Power factor	0.8
Number of leads	12 leads reconnectable (120V-480V-600V)
Stator pitch	2/3
Insulation	Class H
Windings - temperature rise / Ambient °C	125 / 40
Enclosure rating	IP23
Bearing	Single, Sealed
Amortisseur windings	Full
Voltage regulation - no load to full load with DSR AVR	± 1%
TIF	<50
Line harmonics	5% MAXIMUM
Alternator cooling air flow: CFM (m3/hr)	1308 (2223)

STANDARD FEATURES

• Radiator with pusher fan	• Standard fuel filter
• Medium-duty, Double stage-Paper Cartridge	• All rotating components protected with metal guards
• Heavy-duty engine start batteries with cables	• Operation and installation literature
• Emergency stop switch	• CSA certified
• Control Panel (See next page for details)	• Steel base for mounting on fuel tank/concrete surface

OPTIONAL FEATURE: SUB-BASE FUEL TANK *

Runtime	24 hour	48 hour	72 hour
Tank volume - US gal (L)	231.1 (874.8)	462.2 (1749.6)	693.3 (2624.4)
Tank size: L x W x H - inch	92 x 40 x 18	92 x 40 x 32	108 x 40 x 40
Tank size: L x W x H - m	2.4 x 1 x 0.5	2.4 x 1 x 0.9	2.8 x 1 x 1

* All measurements are approximate and for estimation purposes only. The tank dimensions may vary. For specific sizes, contact sales representative.

Rev: A

Date: 3/29/2018

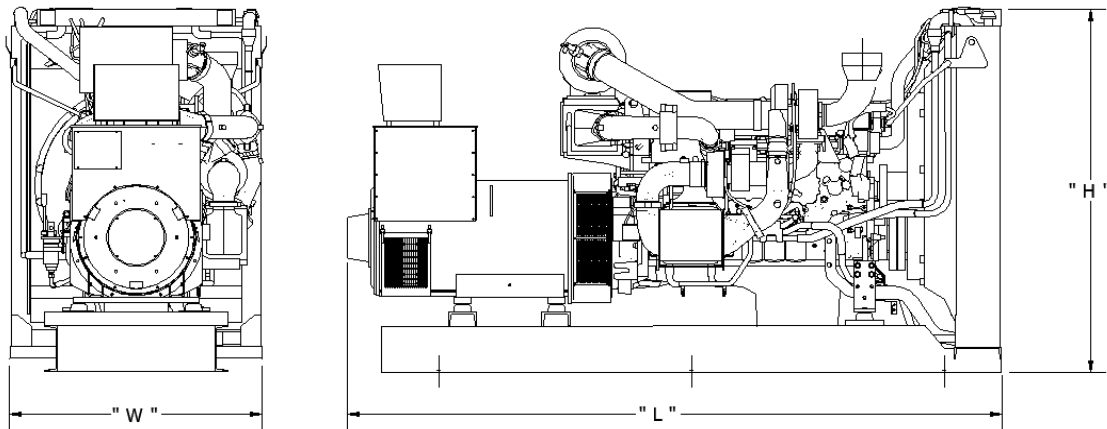
Control Systems Standard Features - Generator Digital Control Panel

Standard Configuration of Control Systems

- Numerous control systems available, depending on customer requirements
- Automatic or manual start/stop
- Pre-lube function with timers
- Adjustable crank attempts
- Engine warm up/cooling functions
- Digital metering with alarms and shutdowns
- LCD display
- LED indicators
- In-built PLC function
- RS232 (optional RS485 or CAN) communication
- Data logging up to 350 events
- Password protection



Key dimensions and Weights



GENERATOR DATA *

L = LENGTH - inch (mm)	W = WIDTH - inch (mm)	H = HEIGHT - inch (mm)	DRY WEIGHT - lbs (kg)
91.5 (2324.1)	39 (990.6)	54.0 (1371.6)	2917.2 (1323)

* All measurements are approximate and for estimation purposes only. Images are reference only.

Any deviation can change dimensions.

Materials and specifications subject to change without notice.



Simson Maxwell

Calgary | Edmonton | Nanaimo | Port Coquitlam | Prince George | Terrace | Ft. St. John

www.simson-maxwell.com | 800-374-6766

